

# SJ3220/26

## ELECTRIC SCISSORS



### STANDARD FEATURES

- Drivable at full height
- Variable speed, rear two wheel hydraulic drive
- Dual holding brakes
- SKYCODED™ Color coded and numbered wiring system
- On-board visual interface with diagnostic capabilities
- Shroud style, impact resistant composite control box with extended cable
- Proportional controls for drive & lift functions
- Tilt sensor (3.5° x 1.5°)
- 3' (0.91 m) Roll out extension deck
- 24V DC Power source
- Low voltage battery protection
- 25% Gradeability
- Solid rubber, non-marking tires
- Pothole protection system
- 110V AC Outlet on platform with GFI
- 28 mph (12.5 m/s) Wind rating (SJ3226 to 18' 6" (5.63 m))
- Tilt alarm with drive & lift cut-out
- All motion audible alarm
- Lanyard attachment points
- Operator horn
- Forklift pockets and tie down/lift lugs
- Overload sensing system
- Fold down hinged railing system
- Half height spring hinged entry gate
- Telematics ready
- 5-Year warranty on standard charger and controller
- 2-Year Gold Leaf Warranty (5-year structural warranty)

### OPTIONS

- Light duty pipe rack
- Heavy duty pipe rack
- Board carrier
- Tool caddy
- Flashing light
- Dual flashing lights
- 6' (1.8 m) Powered ext. deck (SJ3220)<sup>†</sup>  
<sup>†</sup>adds 387 lbs (176 kg) to unit weight and reduces overall capacity to 800 lbs (363 kg)
- 800W AC Inverter
- 250 Ah Batteries (cannot be combined with EE rating package)
- AGM Batteries
- Lockable swingout trays
- EE Rating package (not available with telematics keypad)
- Full height spring hinged entry gate
- Bio oil
- Secondary Guarding Lift Enable (SGLE)
- Non-destructive testing
- ECOTRAY leak containment system (SJ3226 only)
- ELEVATE telematics (3-year or 5-year plans available)
- ELEVATE Battery Management System (BMS)\*
- Warranty options (3-year or 5-year plans available)

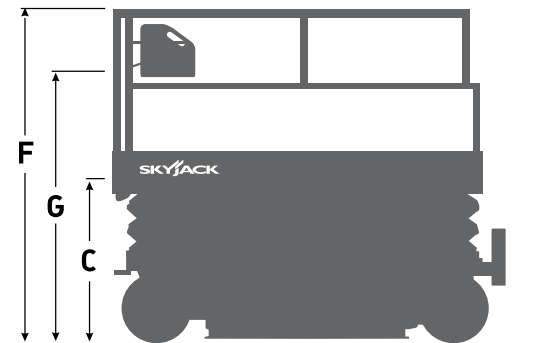
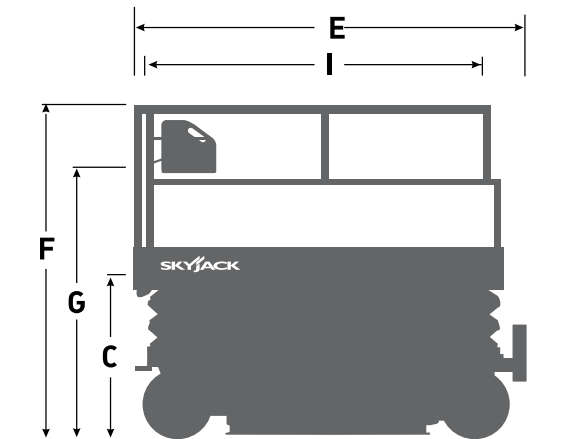
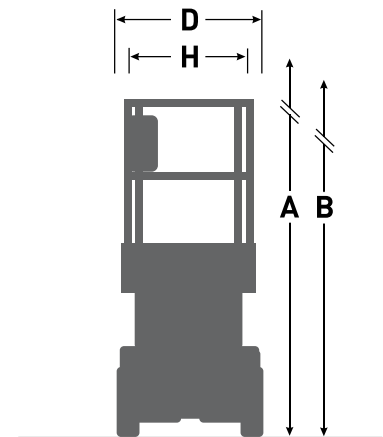
<sup>†</sup> Standard lead times may be increased when optional equipment is added, consult factory.

<sup>‡</sup> Capacities and machine weights may differ when options are added.

\* Only available with ELEVATE telematics

# SJ3220/26 ELECTRIC SCISSORS

| Dimensions   | SJ3220                             | SJ3226                             |
|--|------------------------------------|------------------------------------|
| <b>A</b> Work Height                                     | 25' 6" (7.77 m)                    | 31' 6" (9.61 m)                    |
| <b>B</b> Raised Platform Height                          | 19' 6" (5.94 m)                    | 25' 6" (7.78 m)                    |
| <b>C</b> Lowered Platform Height                         | 39" (0.99 m)                       | 46" (1.17 m)                       |
| <b>D</b> Overall Width                                   | 32" (0.81 m)                       | 32" (0.81 m)                       |
| <b>E</b> Overall Length                                  | 91.6" (2.32 m)                     | 91.6" (2.32 m)                     |
| <b>F</b> Stowed Height (Rails Up)                        | 83" (2.10 m)                       | 90" (2.29 m)                       |
| <b>G</b> Stowed Height (Rails Down)                      | 69" (1.75 m)                       | 76" (1.93 m)                       |
| <b>H</b> Platform Width (Inside Dimension)               | 28" (0.71 m)                       | 28" (0.71 m)                       |
| <b>I</b> Platform Length (Inside Dimension)              | 83" (2.11 m)                       | 83" (2.11 m)                       |
| Specifications   | SJ3220                             | SJ3226                             |
| Extension Deck (Roll Out)                                | 3' (0.91 m)                        | 3' (0.91 m)                        |
| Ground Clearance (Pothole Raised)                        | 4.0" (10.2 cm)                     | 4.0" (10.2 cm)                     |
| Ground Clearance (Pothole Deployed)                      | 0.5" (1.3 cm)                      | 0.5" (1.3 cm)                      |
| Wheelbase  | 69" (1.75 m)                       | 69" (1.75 m)                       |
| Weight   | 3,917 lbs (1,776 kg)               | 4,190 lbs (1,900 kg)               |
| Gradeability   | 25%                                | 25%                                |
| Turning Radius (Inside)                                  | 43" (1.09 m)                       | 43" (1.09 m)                       |
| Turning Radius (Outside)                                 | 104" (2.64 m)                      | 104" (2.64 m)                      |
| Lift Time (With Rated Load)                              | 28 sec                             | 47 sec                             |
| Lower time (With Rated Load)                             | 24 sec                             | 41 sec                             |
| Drive Speed (Stowed)                                     | 2.4 mph (3.9 km/h)                 | 2.4 mph (3.9 km/h)                 |
| Drive Speed (Raised)                                     | 0.6 mph (1.0 km/h)                 | 0.6 mph (1.0 km/h)                 |
| Maximum Drive Height                                     | Full Height                        | Full Height                        |
| Capacity (Overall)                                       | 900 lbs (408 kg)                   | 500 lbs (227 kg)                   |
| Distributed Capacity (Main Platform)                     | 600 lbs (272 kg)                   | 250 lbs (113 kg)                   |
| Distributed Capacity (Extension Deck)                    | 300 lbs (136 kg)                   | 250 lbs (113 kg)                   |
| Local Floor Load (With Rated Load)                       | 109 psi (749 kPa)                  | 104 psi (718 kPa)                  |
| Overall Floor Load (With Rated Load)                     | 248 psf (1,209 kg/m <sup>2</sup> ) | 241 psf (1,177 kg/m <sup>2</sup> ) |
| Maximum # of persons at 0 mph (0 m/s) wind rating        | 2                                  | 2                                  |
| Maximum # of persons up to 28 mph (12.5 m/s) wind rating | 1                                  | 1 up to 18' 6" (5.63 m)            |
| Tire Type  | Solid, N/M                         | Solid, N/M                         |
| Tire Size  | 16 x 5 x 12                        | 16 x 5 x 12                        |



Skyjack Head Office  
 55 Campbell Rd. Guelph, ON Canada N1H 1B9  
 Sales Inquiries: 1-877-755-4387 (1-877-SJLIFTS)  
 Main Switchboard: 1-800-265-2738  
 Phone: 519-837-0888  
 Fax: 519-837-8104  
 Email: skyjack@skyjack.com

[www.skyjack.com](http://www.skyjack.com)

